



GCOM 520

INSTRUCTION MANUAL

DTS Gcom520 GSM Controller
Universal 2 channel

7 Belgrade Ave, Spartan.
Sales: 011 392 5540
Technical: 082 460 7832

www.dtssecurity.co.za

How to start using your Gcom520

Connect the Gcom520 to your required appliance (e.g., Gate motor or Alarm system)

Obtain your sim card cell number.

Insert your sim card into the Gcom520 (**Note: Do not insert or remove the sim card with power connected**)

Purchase airtime and data for the inserted sim card (approximately R50.00 & 50Mb)

Power up the Gcom520 and wait for the "NET OK" LED to come on

Gcom520 is now connected to the network and ready to be used.

Visit www.gcom500.co.za to register and program via our web interface or use SMS programming below.

Gcom520 SMS Programming Codes

Default Administration Password (P/W) = 123456 (Can be changed to Alpha Numerical)

Default for Operator PIN = 999999

Max tel. Number size = 16 Digits (Use international format e.g., +27831231234)

Parameter Settings Table

Setup Commands	Function Code	Example	Comments
Add Gate Access Number	ADDNUM	123456,ADDNUM,+27.....;	To Add gate access number(max 500)
Delete Gate Access Number	DELNUM	123456,DELNUM,+27.....;	To delete gate access number
Change Admin Password	CPWORD	123456,CPWORD,(new admin password);	
Change Operator Pin	COPIN	123456,COPIN,(new operator pin);	
Change Device Name	DEVNAME	123456,DEVNAME,Home Front Gate;	Description of location or equipment controlled.
Change Device Number	DEVNUM	123456,DEVNUM,+27.....;	Number of sim in Gcom controller
Add SMS Recipient	ADDRECIP	123456,ADDRECIP1,+27.....; Or 123456,ADDRECIP2,+27.....; Or 123456,ADDRECIP3,+27.....; etc.	Alarm SMSs are sent to all recipients(Max 6) Status reports and general messages are sent to recipient 1
Delete SMS Recipient	DELRECIP	123456,DELRECIP1,+27.....;	To remove recipient number
Access Security OFF	SECURITY OFF	123456,SECURITY OFF;	Access granted to any missed call (Default ON)
Access Security ON	SECURITY ON	123456,SECURITY ON;	Access granted only to numbers programmed
Enable Daily Status Report	STATUS ON	123456,STATUS ON;	Status report sent daily to recipient 1(Default 12:00)
Disable Daily Status Report	STATUS OFF	123456,STATUS OFF;	No daily status report will be sent
Daily Status Report Time	STAT TIME	123456,STAT TIME,13:00;	Daily status report time(format 00h00)
Request Status Report	STATUS	123456,STATUS;	Will reply with a status report
Request Configuration Report	CONFIG	123456,CONFIG;	Will reply with Configuration report
Enable Power up Report	POWERUP ON	123456,POWERUP ON;	Upon power up will send a power up status report to recipient 1(Default OFF)
Disable Power up Report	POWERUP OFF	123456,POWERUP OFF;	No Power up report will be sent
Enable Notifications to All Recipients	SMSALL ON	123456,SMSALL ON;	SMS warning and notifications sent to all recipients.(Default OFF)
Disable Notifications to All Recipients	SMSALL OFF	123456,SMSALL OFF;	SMS warnings and notifications sent to recipient 1 only(Alarm messages sent to all recipients Max. 6)
Manually Set Internal Clock	TIME	123456,TIME;	Manually set time and date
Request Remaining Airtime	AIRTIME	123456,AIRTIME;	Will reply with remaining airtime report

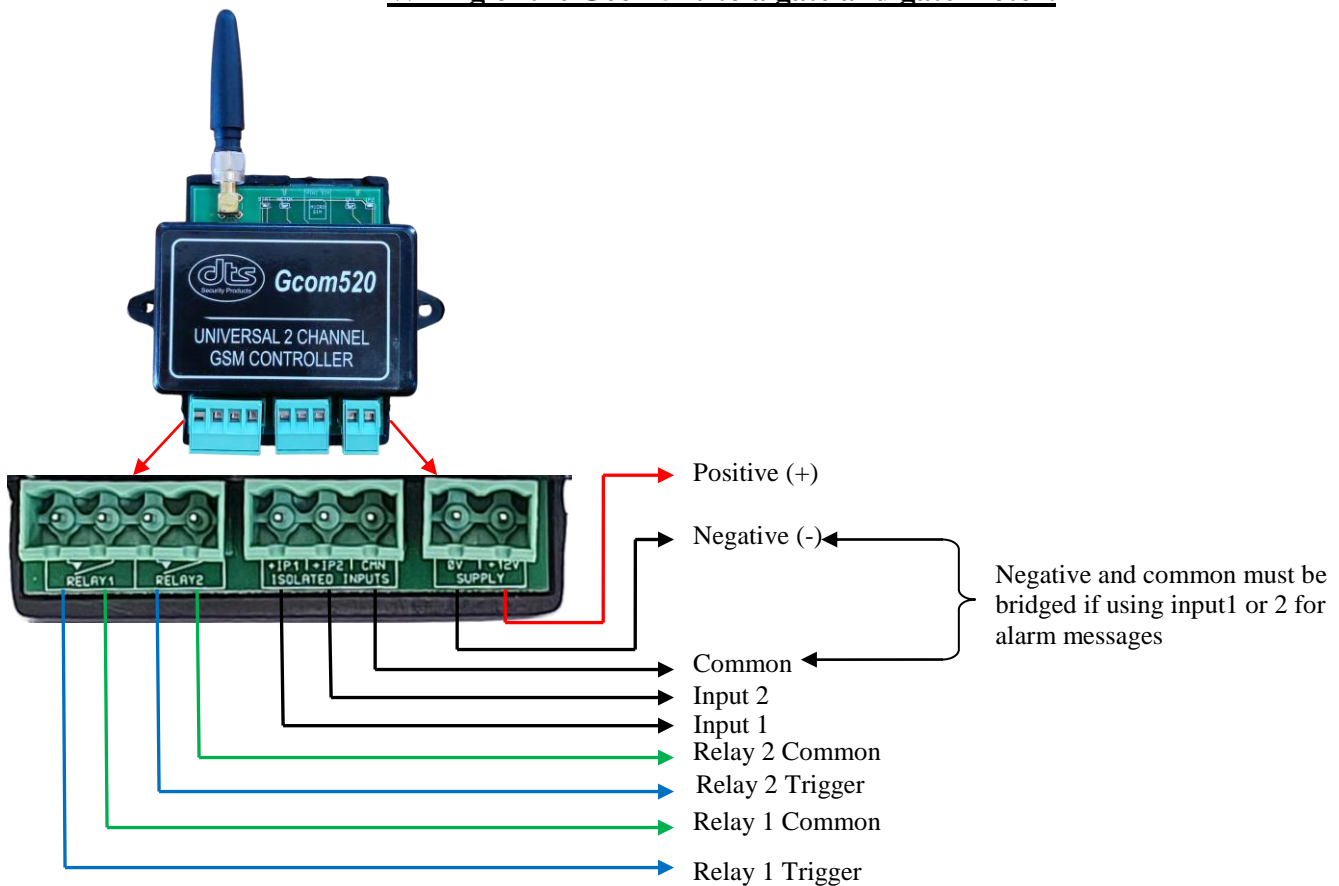
Reset to Factory Default	DEFAULT	123456,DEFAULT;	Reset to factory default and delete all numbers programmed
Set Relay Control To Missed Call	RELAY MCALL	123456,RELAY MCALL;	Relay trigger by missed call only(Default ON/pulse mode)
Set Relay Control To SMS Mode	RELAY SMS	123456,RELAY SMS;	Relay triggered by SMS only
Change Relay 1 Pulse Time	TRIGTIME1	123456,TRIGTIME1,(seconds);	Missed call mode pulse time for Relay 1(Max 99 seconds)
Change Relay 2 Pulse Time	TRIGTIME2	123456,TRIGTIME2,(seconds);	Missed call mode pulse time for Relay 2(Max 99 seconds)
Auto Close Override OPEN	OPEN	123456,OPEN;	If used in gate motor, will latch Relay 1 to keep gate open.
Auto Close Override CLOSE	CLOSE	123456,CLOSE;	Will switch back to pulse mode on Relay 1
Input 1 Alarm Message	ALARM1	123456,ALARM1,Gate Tamper Alarm Triggered;	Alarm message that will be sent when input 1 is triggered(Max 50 characters)
Input 2 Alarm Message	ALARM2	123456,ALARM2,Tank 5 Low Level;	Alarm message that will be sent when input 2 is triggered(Max 50 characters)
Input 1 Alarm Delay	DELAY1	123456,DELAY1,(seconds);	Input 1 delay time before alarm SMS is triggered(Max 999 sec)
Input 2 Alarm Delay	DELAY2	123456,DELAY2,(seconds);	Input 2 delay time before alarm SMS is triggered(Max 999 sec)

Note that all SMS commands must always finish with a “;” (semi-colon)

Notes,

- 1) The 6-character Admin Password is case sensitive. All other text is not case-sensitive.
- 2) When the customized alarm message is a command to another Gcom520 – terminate the line with a comma and a Semi-colon e.g. 123456,RELAY1 ON,123456,PULSE;
- 3) See the “MY GCOM MANAGER” portal at www.gcom500.co.za for convenient device setup and management.
To latch relays (Relay 1 or Relay 2) on SMS commands, users must be added as SMS Recipients.
- 4) Add a gate access number, EG:
 - 123456,ADDNUM,+27831234567; for unlimited vehicle access.
 - 123456,ADDNUM,+27831234567,P; for unlimited pedestrian access.
 - 123456,ADDNUM,+27831234567,07:00,16:00; for limited access 7 days a week between 7:00 and 16:00
 - 123456,ADDNUM,+27831234567,07:00,16:00,0000010,V; for limited vehicle access 1 day in a week.
 - EG: 1 = Saturdays
 - 123456,ADDNUM,+27831234567,07:00,16:00,1000100,P; for limited pedestrian access 2 days a week.
 - EG: first 1 = Mondays & second 1= Friday, Etc.
- 5) For gate open and close trigger wiring to the motor, use RELAY 1 for full opening and RELAY 2 for pedestrian opening.
- 6) RELAY 1 & 2 can be used individually as either a miss calls or SMS commands. Example: Relay 1 programmed as miss call and Relay 2 programmed as SMS command. (In this format, Relay 1 must be missed call)

Wiring of the Gcom520 to a gate and gate motor.



Please note that if the Gcom520 is located or mounted in a metal housing, the existing antenna must be removed and replaced with an external antenna with a SMA-RF connection (**Note: when replacing or changing out antenna's, ensure the unit is powered down**).

Note: Input 1 and 2 needs a positive trigger for alarm messages and will only send SMSs to programmed recipient numbers.

Features

- Stores up to 500 telephone numbers for access control.
- Permanent or time limited user access. (Ideal for Hotels and Guest houses)
- Real time calendar clock.
- Configuration parameters remotely set by SMS.
- Supply voltage monitoring. (Will SMS a warning message if low voltage)
- Single monitored input for ON/OFF condition SMS alarming & programmable time delay for input monitoring
- Output relays operated from SMS commands or free missed calls.
- User programmable alarm message. (Message can be a SMS command to another Gcom520)
- Status and remaining airtime reporting.
- Compatible with all local GSM networks.
- Very low power consumption. (Less than 20mA in standby)
- Operates between 8-32VDC power supply. (Battery backup recommended)
- Low voltage output relay rated at 1Amp.
- IP50 housing.
- ICASA approved.

Typical Application.

- Access control system.
- Industrial or domestic alarm control and monitoring.
- Electric fence control and monitoring.
- Refrigeration monitoring.
- Remote pump control / water level monitoring.

Manufacturer's warranty.

- All goods manufactured by DTS Security Products carry a 24-month factory warranty from date of invoice.
- All goods are warranted to be free from faulty components and manufacturing defects.
- Faulty goods will be repaired or replaced at the sole discretion of DTS Security Products, free of charge.
- This warranty is subject to the goods being returned to the premises of DTS Security Products.
- This warranty excludes lightning damage, insect damage and damage caused by faulty installation.
- In the event of the goods being supplied by dealer, merchant, agent or duly appointed installer of DTS Security Products, the claim must be directed to that supplier.
- The carriage of goods is for the customer's account.
- This warranty is only valid if the correct installation and application of goods, as laid out in the applicable documentation accompanying said goods, is adhered to.
- All warranty claims must be accompanied by the original invoice.
- The liability of DTS Security Products and / or their distributors is limited as herein set out DTS Security Products and / or their distributors will not be liable for consequential or incident damages however arising.

*For more detailed information on the gcom520, visit our website on
www.gcom500.co.za*